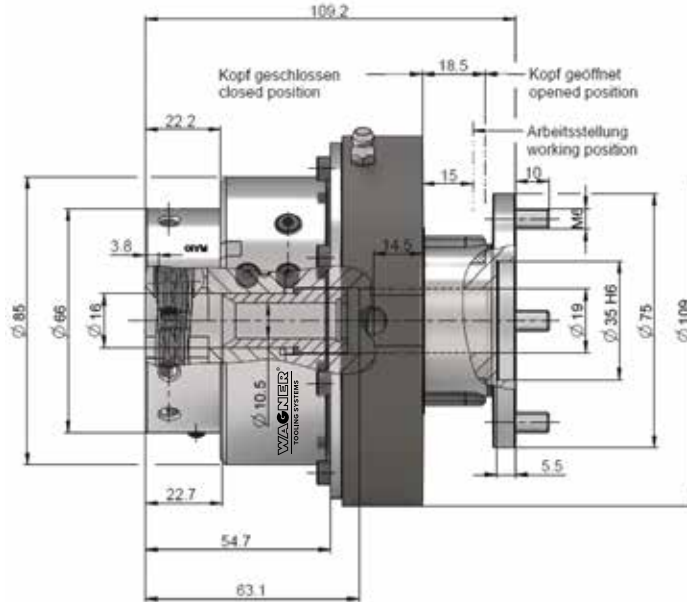
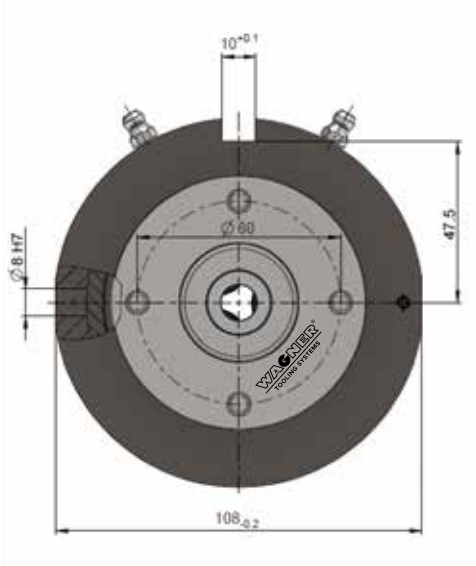


## Axial rolling system RAR10-2

Type rotating



### Axial rolling system RAR10-2

Weight 3.4 kg

	mm	inch
Working range $\varnothing$	2.5–10	0.1–0.394
Pitch max.	1.5	16 t.p.i.