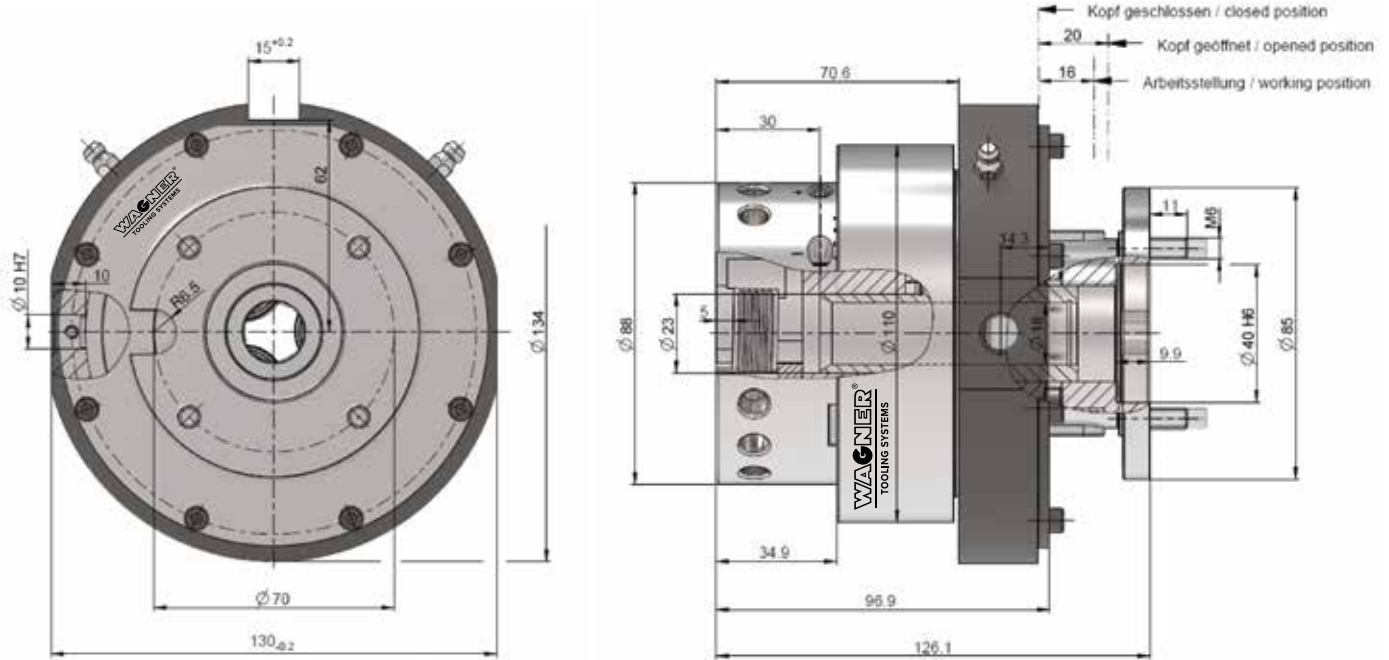


Axial rolling system RAR16-2

Type rotating



Axial rolling system RAR16-2

Weight 5.7 kg

	mm	inch
Working range \varnothing	3–24	0.118–0.945
Pitch max.	2	11 t.p.i.