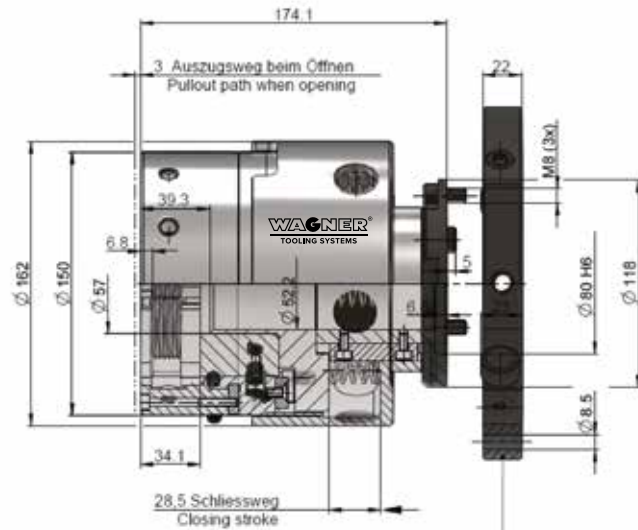
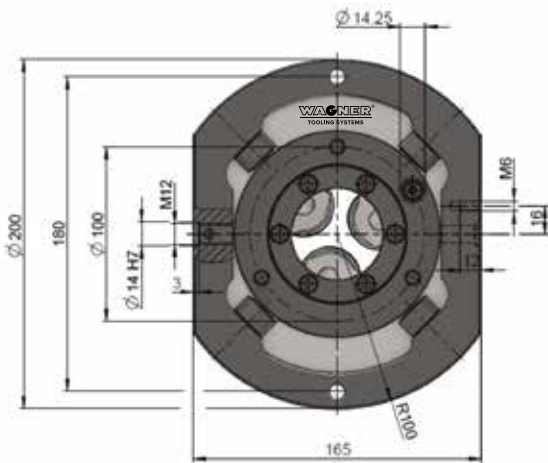


## Axial rolling system RR27/56

Type rotating



Druckring muss maschinenseitig befestigt und gesteuert werden.  
Pressure ring must be attached and controlled on the machine side.

### Axial rolling system RR27/56

Weight 14.5 kg

	mm	inch
Working range $\varnothing$	5–56	0.197–2.087
Pitch max.	3	8 t.p.i.