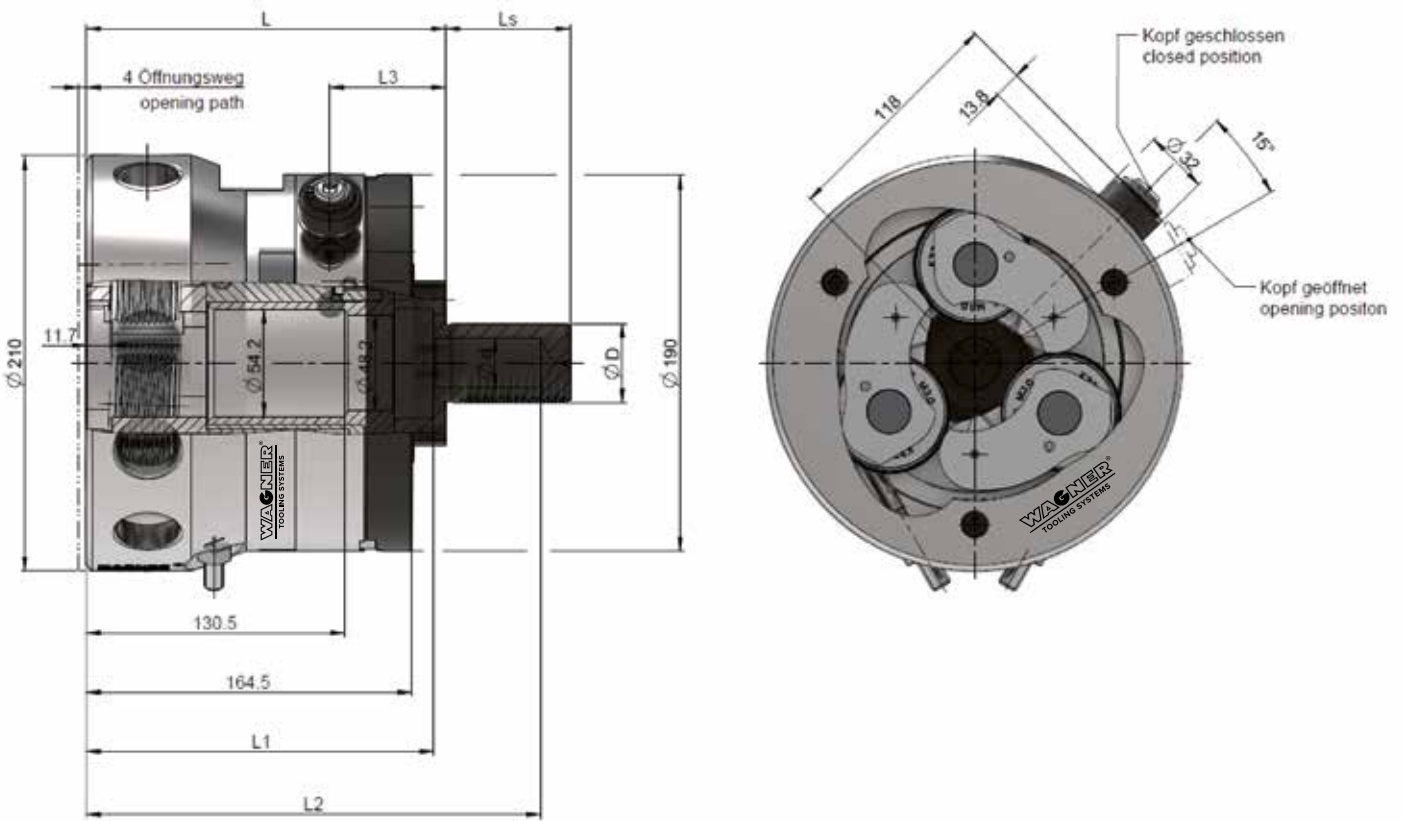


Axial rolling system RS45

Type stationary



Axial rolling system RS45

Weight 29.4 kg

	mm	inch
Working range \varnothing	12–54	0.472–2.008
Pitch max.	4.5	6 t.p.i.

Shank \varnothing D mm	d mm	L mm	L _s mm	L ₁ mm	L ₂ mm	L ₃ mm
50	39.5	165.5	120	156.5	269.5	42.5
50	39.5	165.5	120	156.5	∞	42.5
60	48.4	165.5	120	∞	–	42.5
VDI30	16.2	181.5	55	175.5	229.6	58.5
VDI40	25	181.5	63	175.5	229.6	58.5
VDI50	32	181.5	78	175.5	242.5	58.5