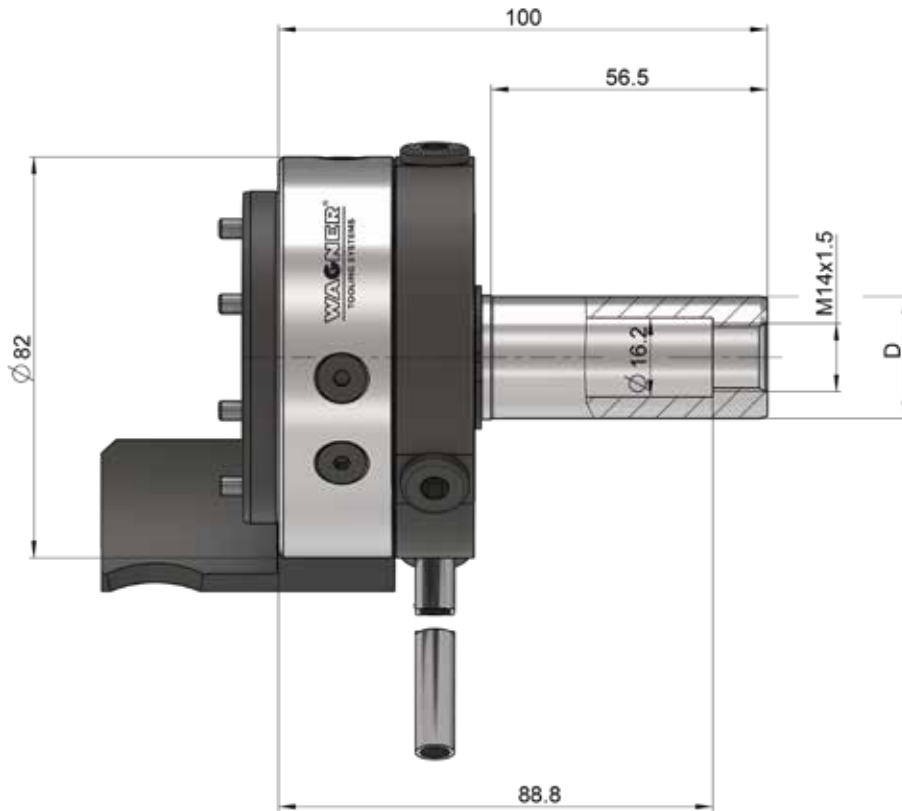


Closing device RS16

Type stationary



Shank-Ø D mm (inch)	Coolant Pressure (bar)	Weight kg
19.05 (3/4")	6-15	1.9
20	6-15	1.9
22	6-15	1.9
25	6-15	2.0
25.4 (1")	6-15	2.0