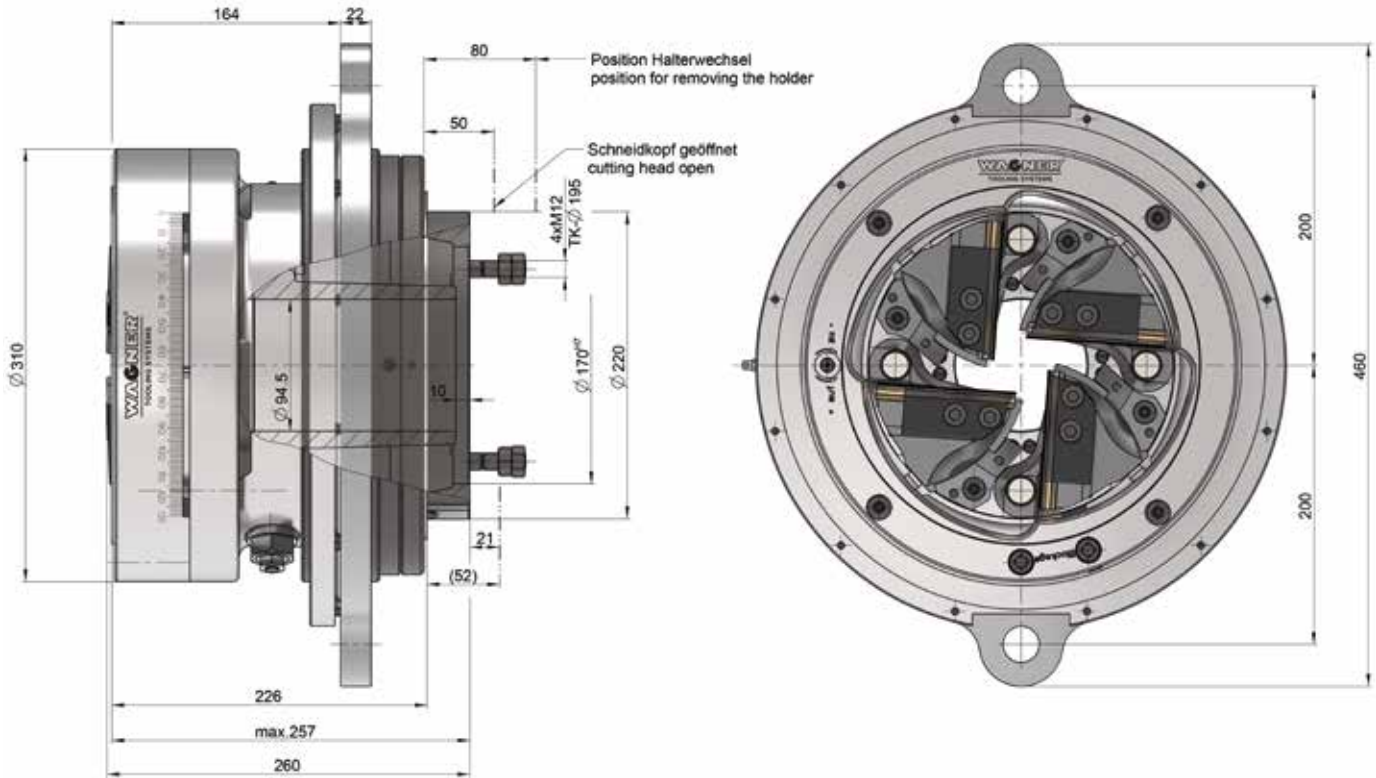


Thread cutting system WEK-S8

Heavy duty rotating design



Thread cutting system Heavy Duty WEK-S8

Weight	80 kg	
Working range pipe thread K1/16	R1/4–3" DIN EN ISO 10226 1/4-18–3-8NPT ANSI B1.20.1	
	mm	inch
Max. pitch	3.175	8 t.p.i.
Chaser holders	see table for holders	
Max. Thread length for tapered threads	44	1.732

Accessories:

Setting device with dial gauge

