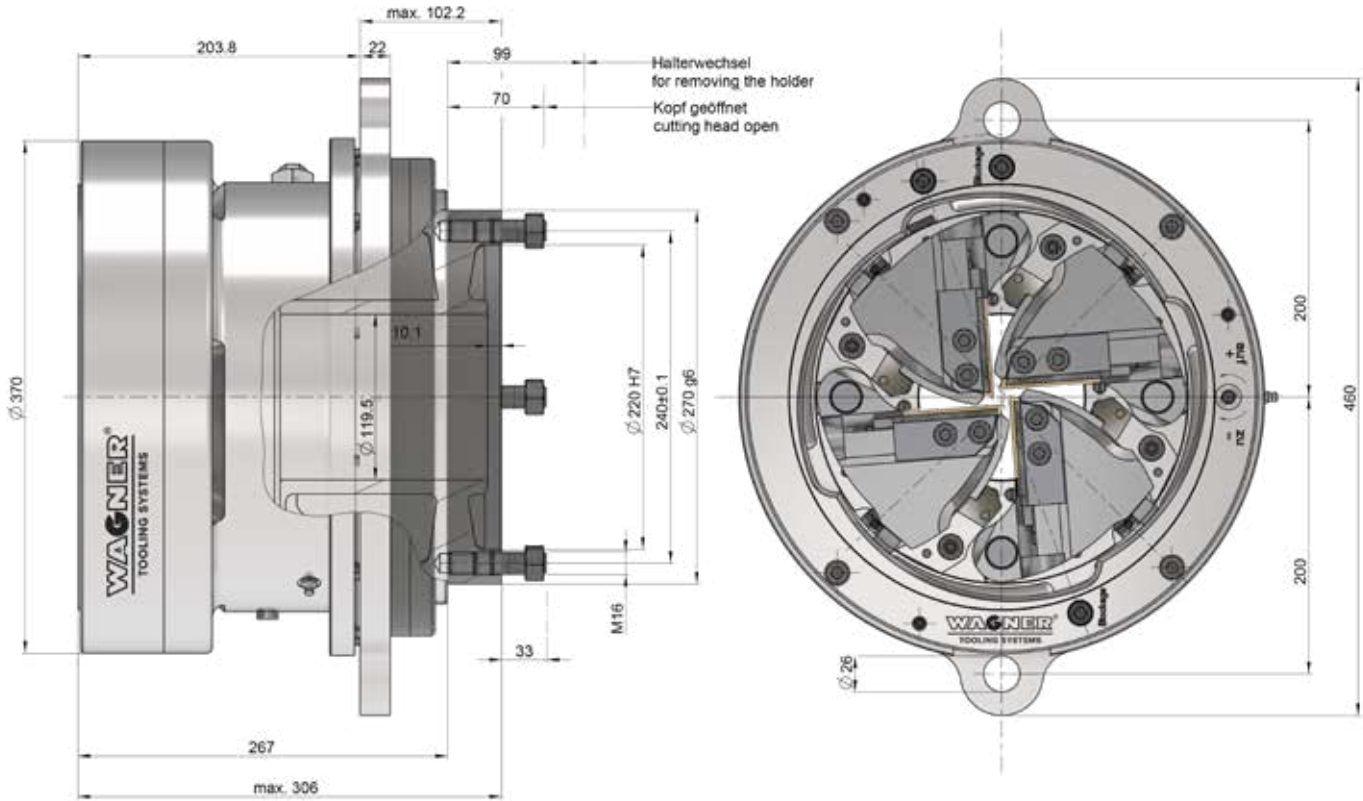


Thread cutting system WHK-S3

Heavy duty rotating design



Thread cutting system Heavy Duty WHK-S3

Weight	135 kg	
Working range pipe thread K1/16	R1/2–4" DIN EN ISO 10226 1/2-14–4-8NPT ANSI B1.20.1	
	mm	inch
Max. pitch	3.175	8 t.p.i.
Chaser holders	see table for holders	
Max. thread length for tapered threads	63	2.48

Accessories:

Setting device with dial gauge

