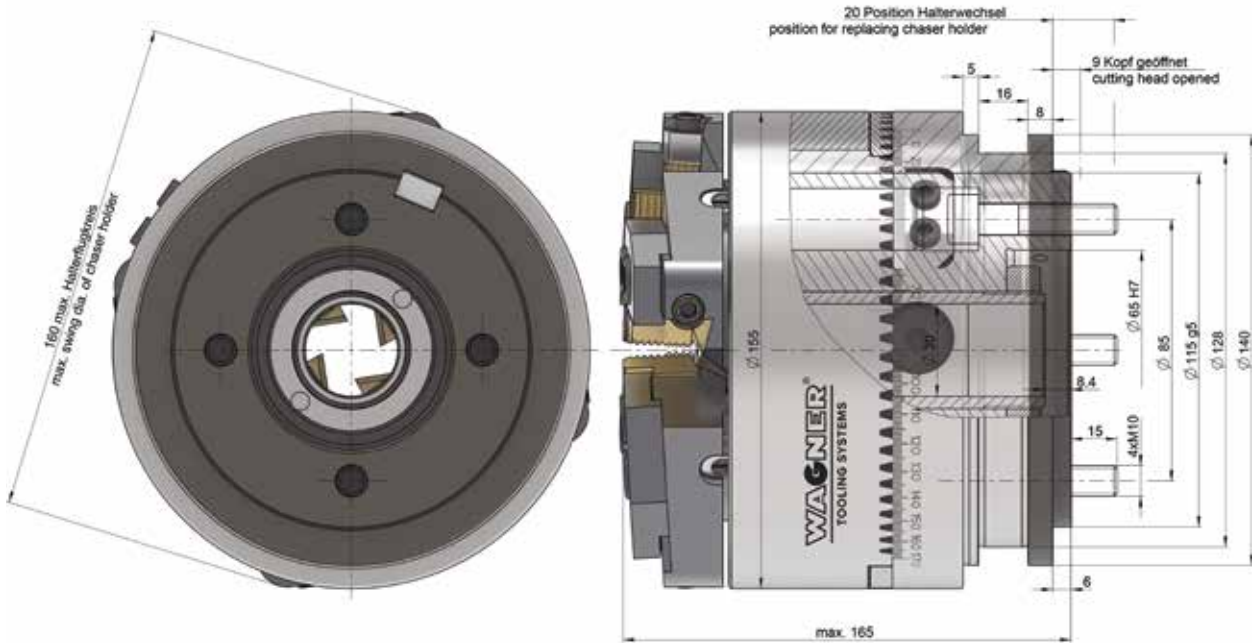


Thread cutting system Z27-2

Standard rotating design



Thread cutting system Standard Z27-2

Weight 15 kg

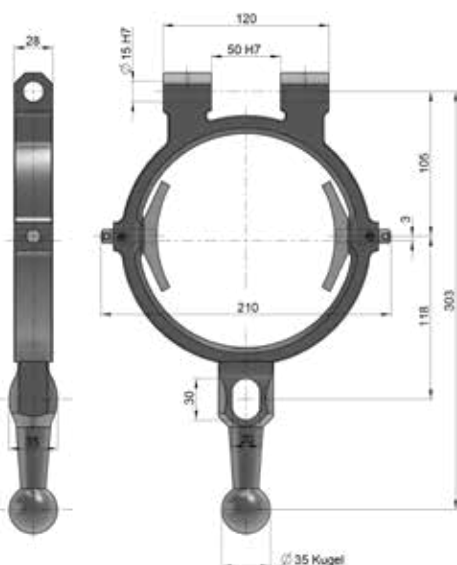
	mm	inch
Working range \varnothing	6–60	0,236–2,36
Max. pitch	3.0	8 t.p.i.
Chaser holder	see table for holders	

Accessories:

Control ring Z27-2-70563700

Accessories:

Toothed segments Z27-2 (set = 10 pieces)



Toothed segments ensure an interlocking connection between the guide ring and the eccentric ring, thus preventing unintentional adjustment of the machining diameter.

Toothed segments are mainly used when the cutting systems are used in a reversing manner or the tool spindles are stopped abruptly after thread cutting.

Accessories:

Setting device with dial gauge



Accessories:

Shanks and flanges on request

