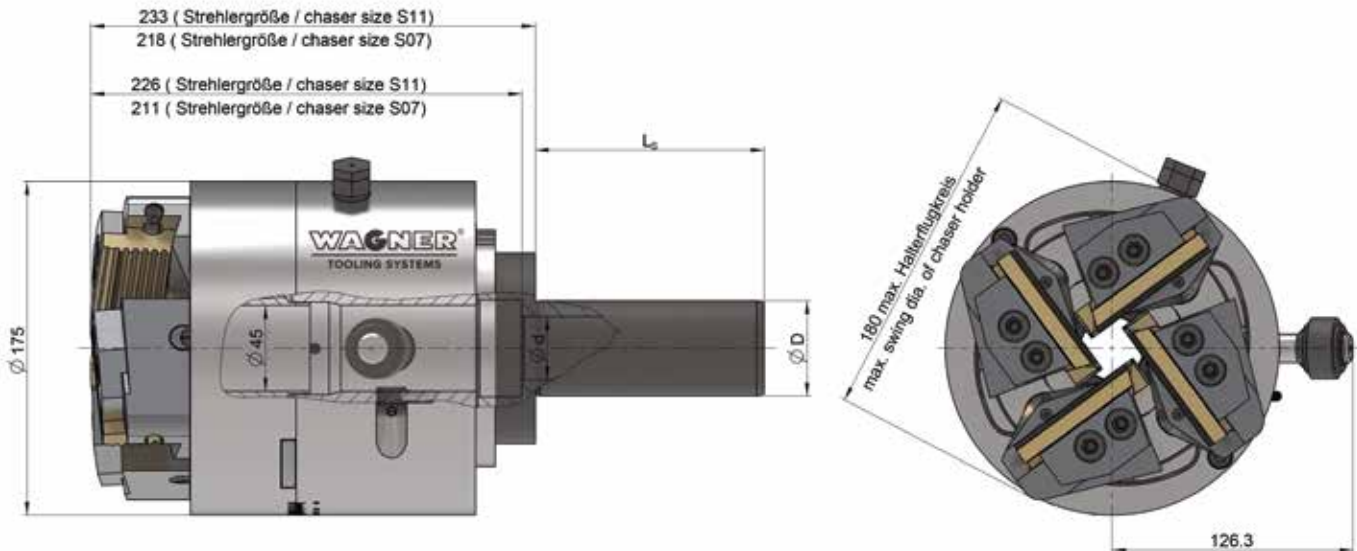


## Thread cutting system ZE39

Standard stationary design



### Thread cutting system standard ZE39

Weight 32 kg

	mm	inch
Working range $\varnothing$	8–80	0.315–3.15
Max. pitch	4	8 t.p.i.
Chaser holder	see holder tables	

### Accessories:

Setting device with dial gauge



### Fixed shanks ZE39

Shank- $\varnothing$ D mm	Length $L_s$ mm	d mm
32	75	15
40	120	30
50	120	39.5
60	120	48.4
VDI30	55	16.2
VDI40	63	25
VDI50	78	32