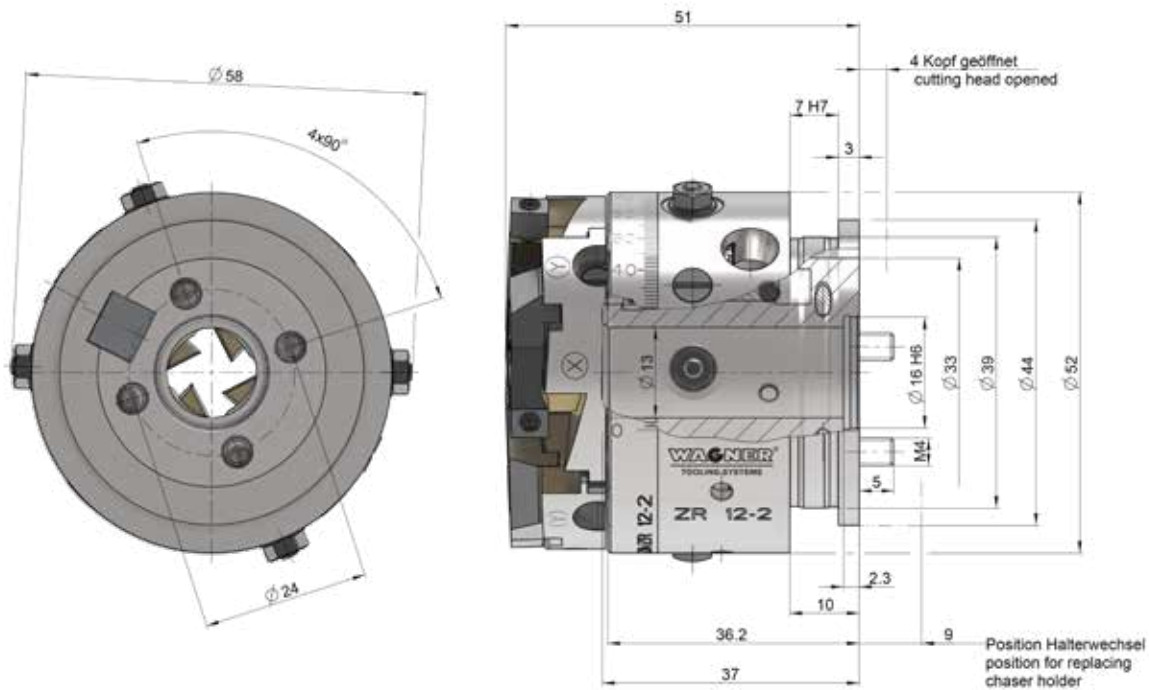


Thread cutting system ZR12-2

Compact rotating design



Thread cutting system compact ZR12-2

Weight 0.6 kg

	mm	inch
Working range \varnothing	1.6–16	0.063–0.63
Max. pitch	1.75	16 t.p.i.
Chaser holder	see holder tables	

Accessories:

Shanks and flanges on request

Accessories:

Setting device with dial gauge

