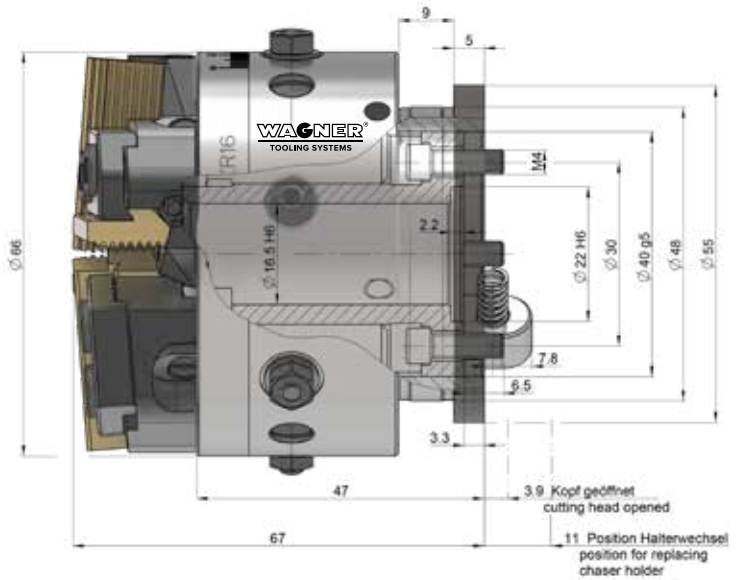
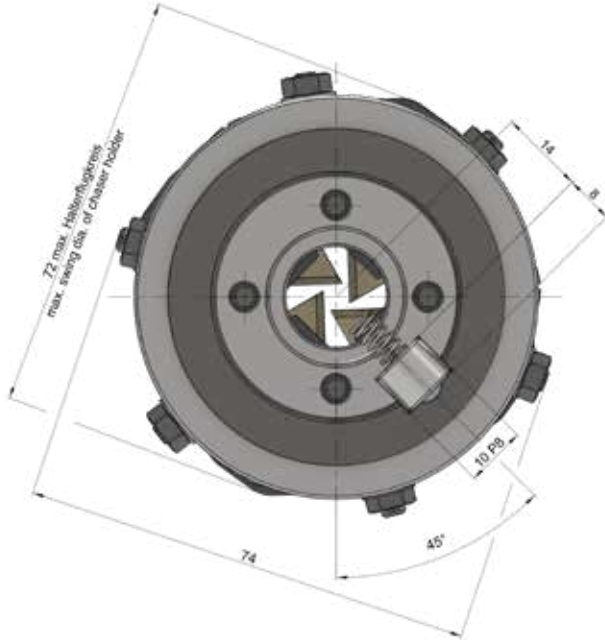


Thread cutting system ZR16-2

Compact rotating design



Thread cutting system compact ZR16-2

Weight 1.7 kg

	mm	inch
Working range \varnothing	2.5–20	0.098–0.787
Max. pitch	2	13 t.p.i.
Chaser holder	see holder tables	

Accessories:

Setting device with dial gauge

Accessories:

Shanks and flanges on request



Accessories:

Control ring ZR16-70252800

Control ring ZR16-75126000

