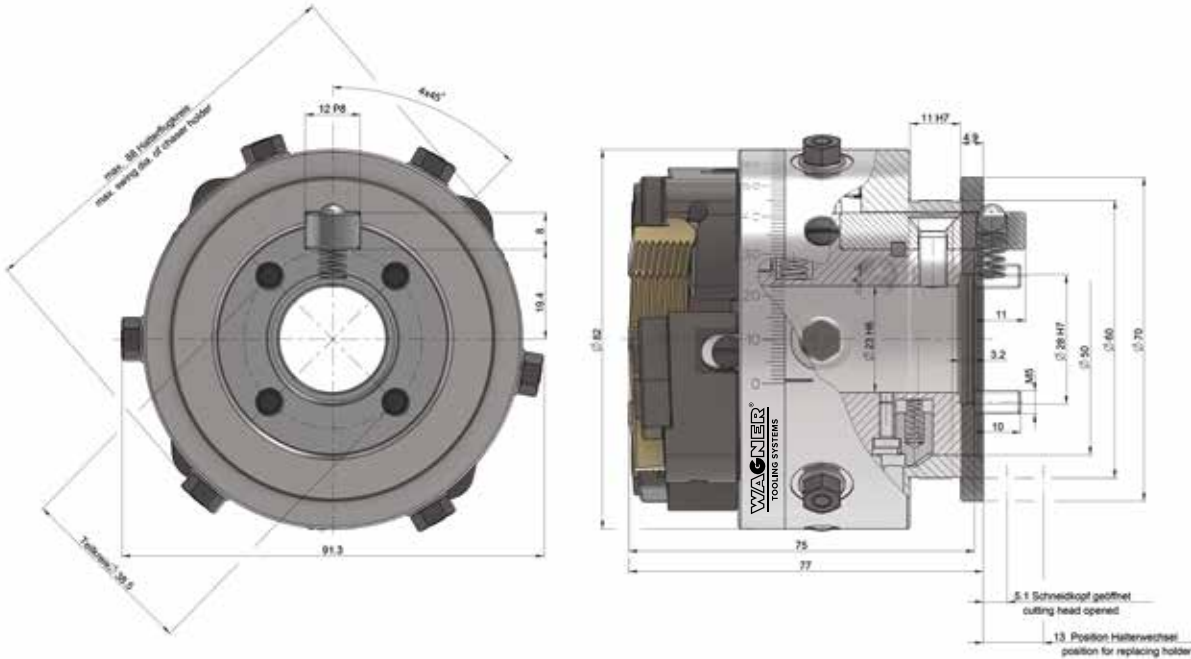


## Thread cutting system ZR22-2

Compact rotating design



### Thread cutting system Compact ZR22-2

Weight 2.8 kg

### Accessories:

Setting device with dial gauge

	mm	inch
Working range $\phi$	4–38	0.157–1.496
Max. pitch	2	13 t.p.i.
Chaser holder	see holder tables	

### Accessories:

Shanks and flanges on request



### Accessories:

Control ring ZR22-70257500

Control ring ZR22-75001700

