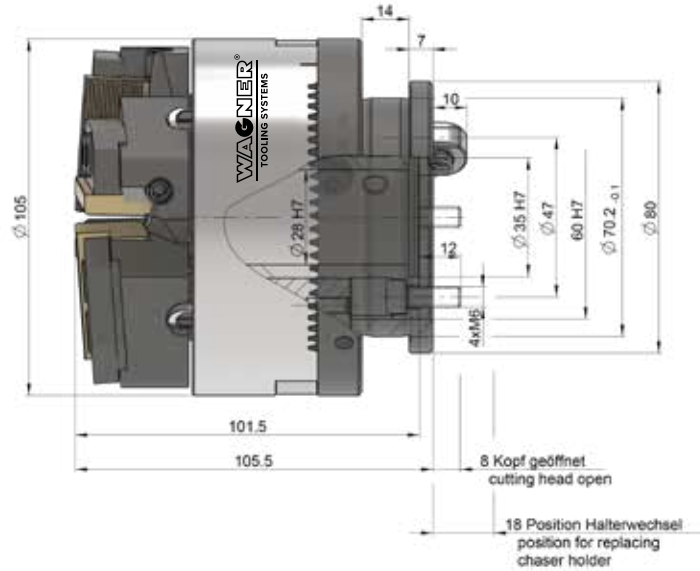
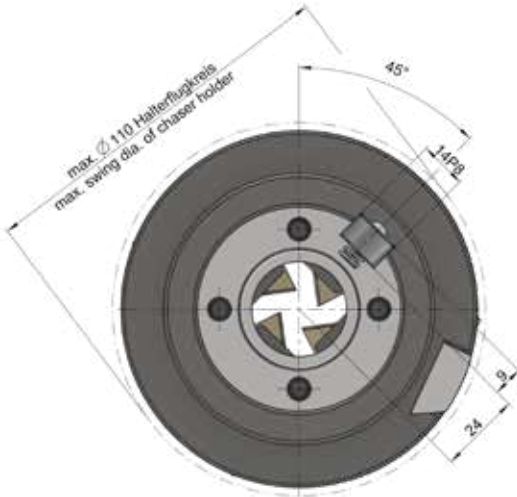


Thread cutting system ZR27-2

Compact rotating design



Thread cutting system Compact ZR27-2

Weight 6.2 kg

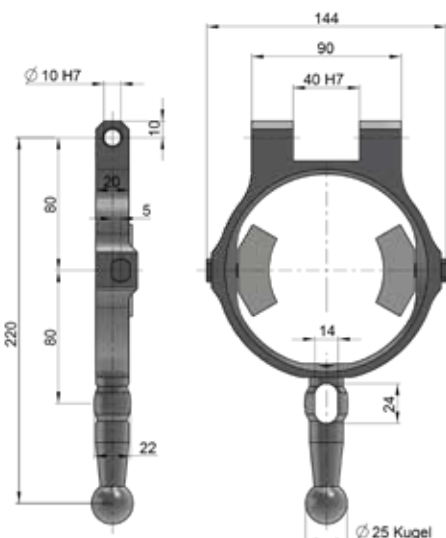
	mm	inch
Working range \varnothing	5–60	0.197–2.362
Max. pitch	3	9 t.p.i.
Chaser holder	see holder tables	

Accessories:

Control ring ZR27-2-70252300

Accessories:

Toothed segments ZR27-2 (set = 10 pieces)



Toothed segments ensure an interlocking connection between the guide ring and the eccentric ring, thus preventing unintentional adjustment of the machining diameter.

Toothed segments are mainly used when the cutting systems are used in a reversing manner or the tool spindles are stopped abruptly after thread cutting.

Accessories:

Setting device with dial gauge



Accessories:

Shanks and flanges on request

