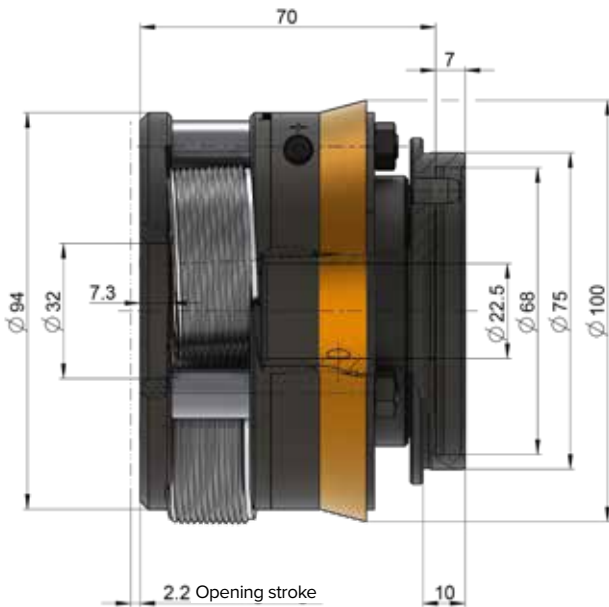




HELIX Axial rolling system RG22-R/FG22-R

rotating



Axial rolling system HELIX RG22-R/FG22-R

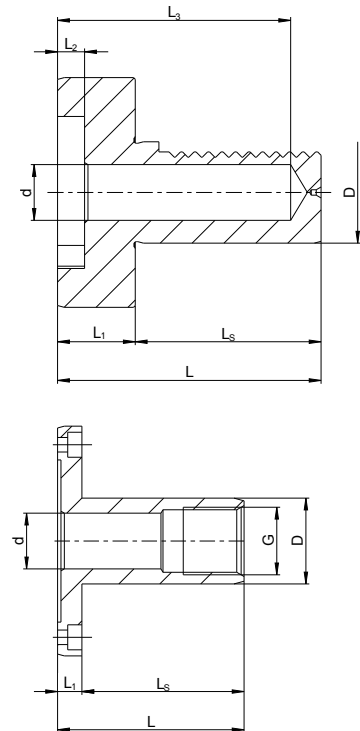
Weight of tool with rolls	2.6 kg
Weight of shank	0.3–1 kg

Optional tool kit

- Closing device

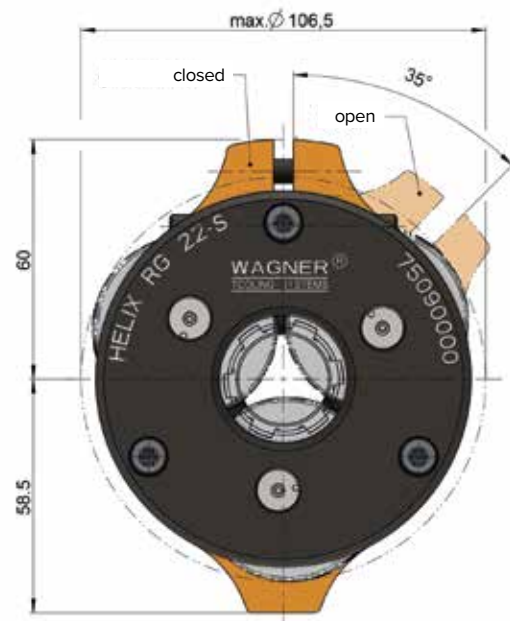
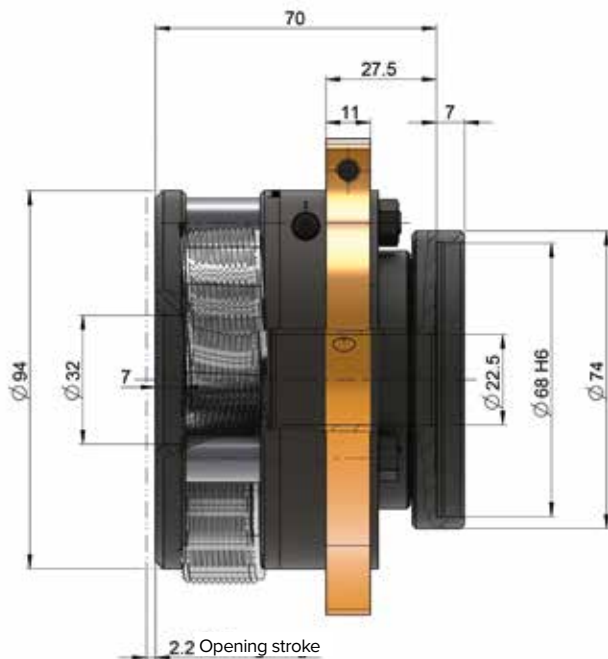
Shank- \varnothing D mm (inch)	d mm	L mm	L _s mm	L ₁ mm	L ₂ mm	L ₃ mm	G
19.05 (3/4")	12.5	49	42	7.2	–	–	M14-LH
20	12.5	49	42	7.2	–	–	M14-LH
22	12.5	49	42	7.2	–	–	M14-LH
25	16.5	55	48	7.2	–	–	M20 × 1.5
25.4 (1")	16.5	55	48	7.2	–	–	M20 × 1.5
30	22.5	67	55	7.2	–	52	M18 × 1.5
32	16.5	87	80	7.2	–	52	M18 × 1.5
VDI20	16.5	59.7	40	19.7	8	16	–
VDI30	16.5	78	55	23	8	69	–
VDI40	25	86	63	23	16	71	–

Figure: Shank dimensions, see table





stationary



Axial rolling system HELIX RG22-S/FG22-S

Weight of tool with rolls	2.6 kg
Weight of shank	0.3–1 kg

Optional tool kit

- Closing device

Shank-Ø D mm (inch)	d mm	L mm	L _s mm	L ₁ mm	L ₂ mm	L ₃ mm	G
19.05 (3/4")	12.5	49	42	7.2	–	–	M14-LH
20	12.5	49	42	7.2	–	–	M14-LH
22	12.5	49	42	7.2	–	–	M14-LH
25	16.5	55	48	7.2	–	–	M20 × 1.5
25.4 (1")	16.5	55	48	7.2	–	–	M20 × 1.5
30	22.5	67	55	7.2	–	52	M18 × 1.5
32	16.5	87	80	7.2	–	52	M18 × 1.5
VDI 20	16.5	59.7	40	19.7	8	16	–
VDI 30	16.5	78	55	23	8	69	–
VDI 40	25	86	63	23	16	71	–

Figure: Shank dimensions, see table

