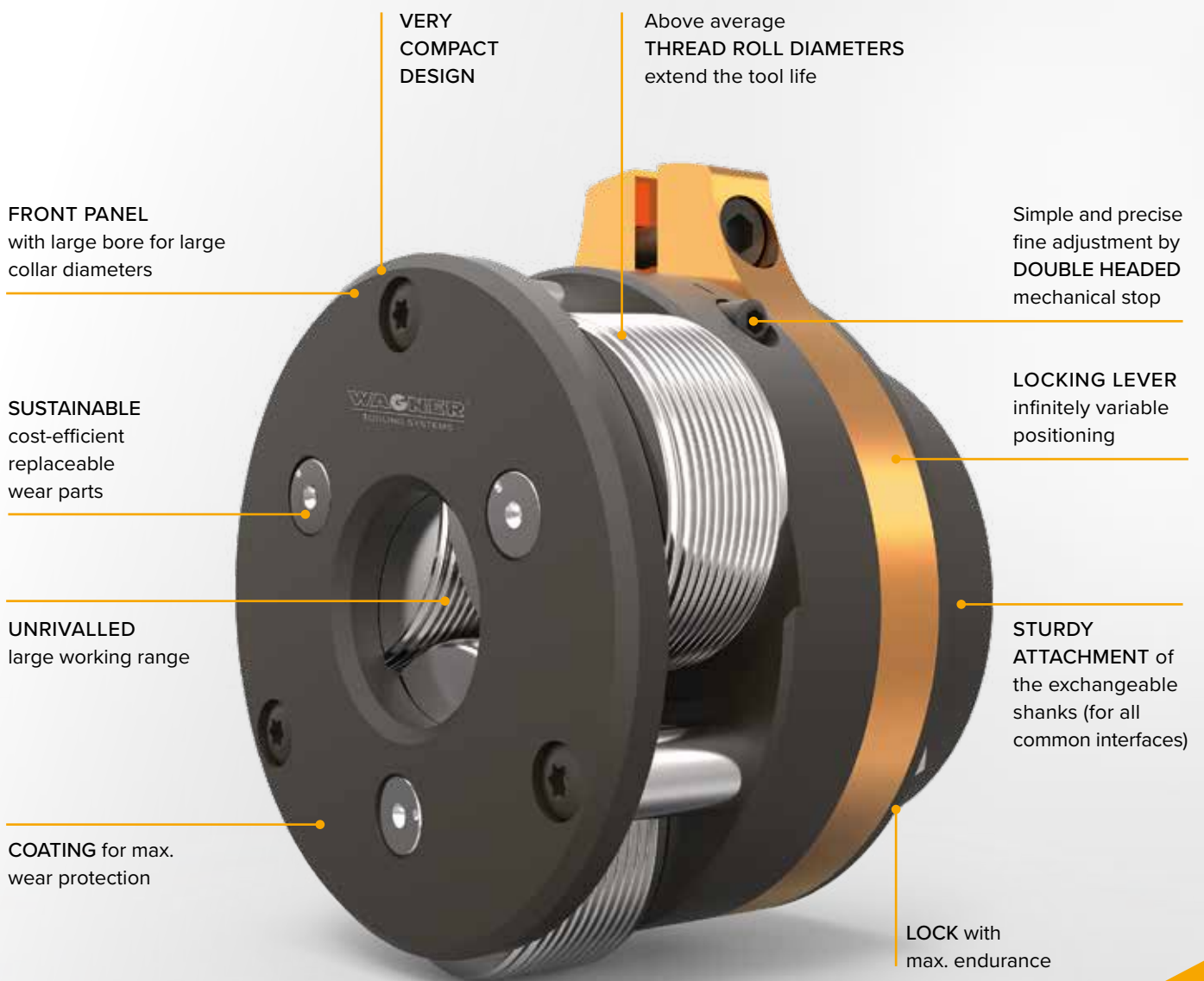
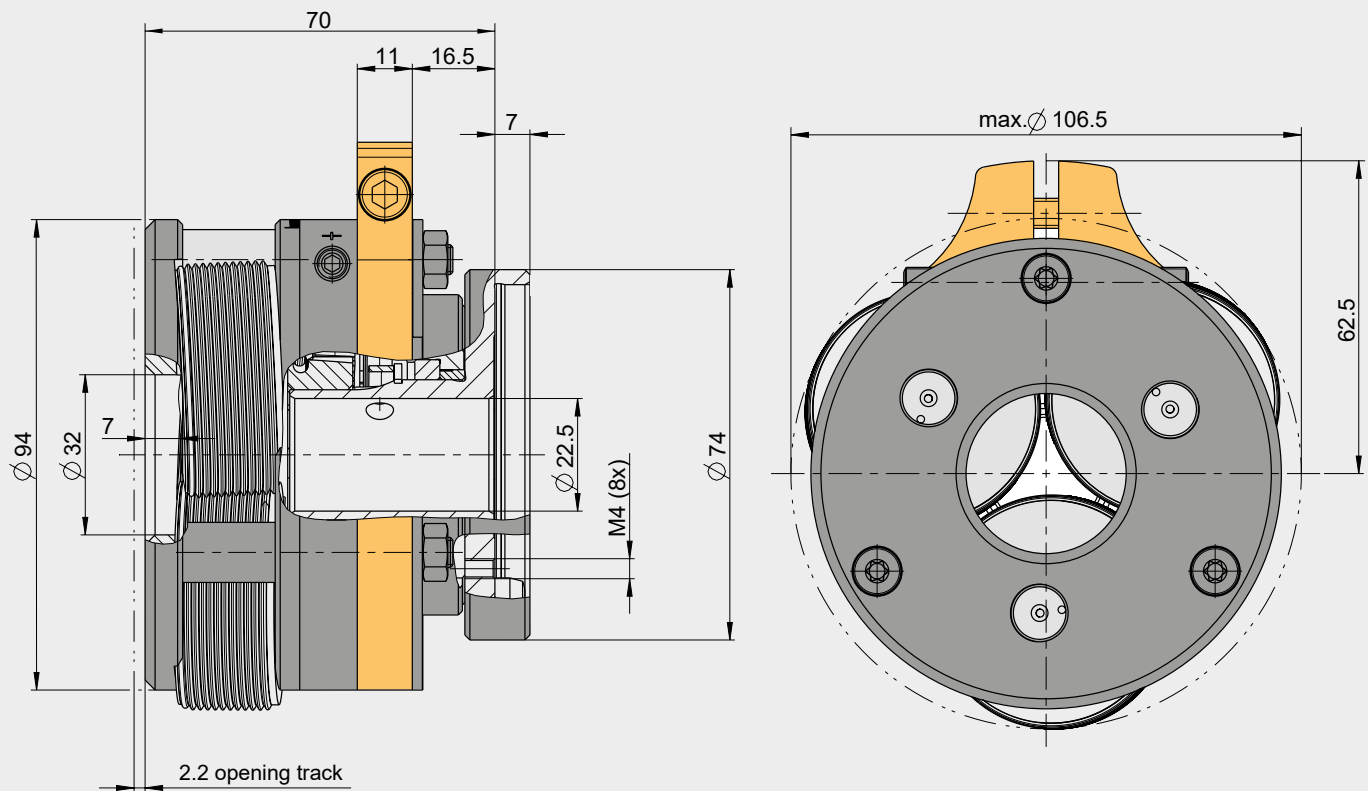


# HELIX –

## THE EXPERT FOR AXIAL THREAD ROLLING





**HELIX RG 22-S** stationary for standard threads up to M22

**HELIX FG 22-S** stationary for fine threads up to M22x2

**HELIX RG 22-R** rotating for standard threads up to M22

**HELIX FG 22-R** rotating for fine threads up to M22x2

Metric ISO thread standard- and fine thread DIN13	American UN/UNC/ UNF/UNEF/UNS thread B11	Pipe thread DIN EN ISO 228	Whitworth standard thread BS84 (BSW)	Whitworth fine thread BS84 (BSF)	Pipe thread DIN EN 10226 ISO 7, K1/16	American tapered pipe threads ANSI/ASME B1.20.1 ANSI 1.20.3
M10 to M22 M9x0,5 to M22x2	UNC 3/8" -16 to 7/8" -12 UNEF 3/8" -32 to 15/16 -32	G 1/8" to G 1/2"	BSW 3/8" to BSW 3/4"	BSF 3/8" to BSF 7/8"	R 1/8" to R 1/2"	NPT 1/8" to NPT 1/2"



Illustration with locking device

#### ADVANTAGES

- Wide working range (M10 – M22)
- Large bore diameter
- Large roller diameter
- Front plate with large bore for large collar diameters
- Compact dimensions
- User-friendly due to easy handling and replaceable wear parts
- Sturdy fastening of the exchangeable mounting shafts (for all common interfaces)

#### MORE INFO:

**WAGNER TOOLING SYSTEMS BAUBLIES GMBH**

sales.wagner@baublies-group.com

phone +49 (0) 7127 973-190

www.wagner-werkzeug.de

**WAGNER**<sup>®</sup>  
TOOLING SYSTEMS